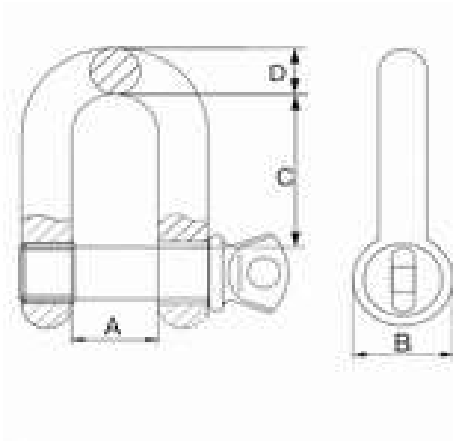


Commercial Galv Dee Shackles (Unrated)

Commercial dee shackles are a great option for non load bearing applications.
NOT TO BE USED FOR LIFTING OR ANY LOAD BEARING APPLICATION



5MM	0.08T	10	11	19	5	0.015
6MM	0.1T	13	14	25	6	0.024
8MM	0.2T	16	18	32	8	0.05
10MM	0.32T	19	20	38	10	0.085
12MM	0.52T	25	26	51	12	0.17
14MM	0.6T	26.5	28	52	14	0.25
16MM	0.8T	32	33	64	16	0.38
18MM	0.92T	35	35	70	18	0.59
20MM	1.1T	38	40	76	20	0.76
22MM	1.5T	44	50	89	22	1.05
25MM	2.1T	51	57	100	25	1.55
28MM	3T	57	68	115	28	2.25
32MM	3.5T	64	73	127	32	3.35
36MM	4T	72	81	135	36	4.6
38MM	5T	76	85	152	38	5.86
42MM	6T	80	91	175	42	7.9
45MM	7T	90	96	180	45	10
50MM	8T	102	108	200	50	12.5

ALWAYS:

- Store and handle shackles correctly.
- Inspect shackles before use and before placing into storage.
- Select the correct pattern of shackle and pin for the application.
- Allow for the full resultant imposed load.
- Fully tighten the pin.

NEVER:

- Use shackles with bent pins or deformed bodies.
- Force, hammer or wedge shackles into position.
- Replace the pin with a bolt.
- Fit pins in contact with moving parts which may loosen or unscrew them.

Selecting the Correct Shackle

Shackles are available in a range of material grades, sizes and designs. Be sure to select the shackle type and design for your application. Commercial shackles are designed for non load bearing applications.

Storing and Handling Shackle

Never return damaged shackles to storage. They should be dry, clean and protected from corrosion. Do not alter, modify or repair shackles and never replace missing pins with unidentified pins, bolts etc,

Never galvanise or subject a shackle to other plating processes without the approval of the supplier.